

Accessory

The Gripple Contractor tool is strong, robust and tensions up to 6 mm Gripple tensioners.

FEATURES / BENEFITS

- Strong and robust to withstand everyday wear and tear
- Long, gear driven handles provide a 10:1 mechanical advantage
- All-metal construction, combined with soft, moulded grips for comfortable and efficient use.
- Quick release cam allows for easy poisoning of the tool on the wire
- One tool works on all Gripple tensioners on up to 6mm diameter wire



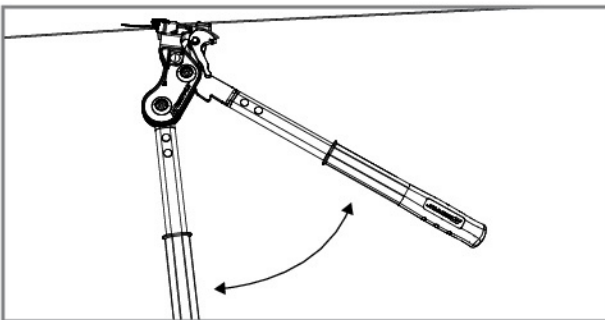
SPECIFICATION

Wire Range	Tool Weight
up to 6.00 mm	2.5 kg

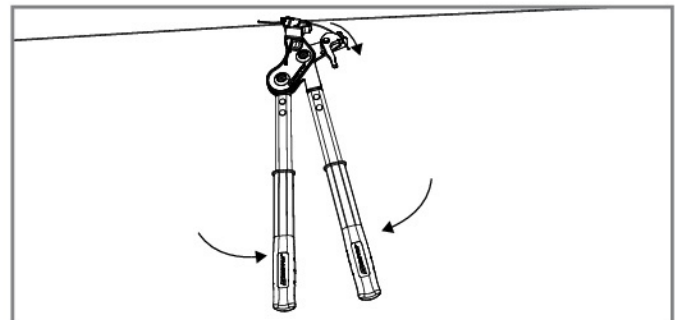
- All Steel Construction Head Set
- 400mm Flat Oval, Zinc Plated Tubular Steel Handles
- Extended Soft Feel Over Moulded Grips (Orange)

INSTALLATION

1.



2.



TIPS

- Regularly lubricate the cam area for smooth operation
- Replacement cam sets are available should the teeth wear

